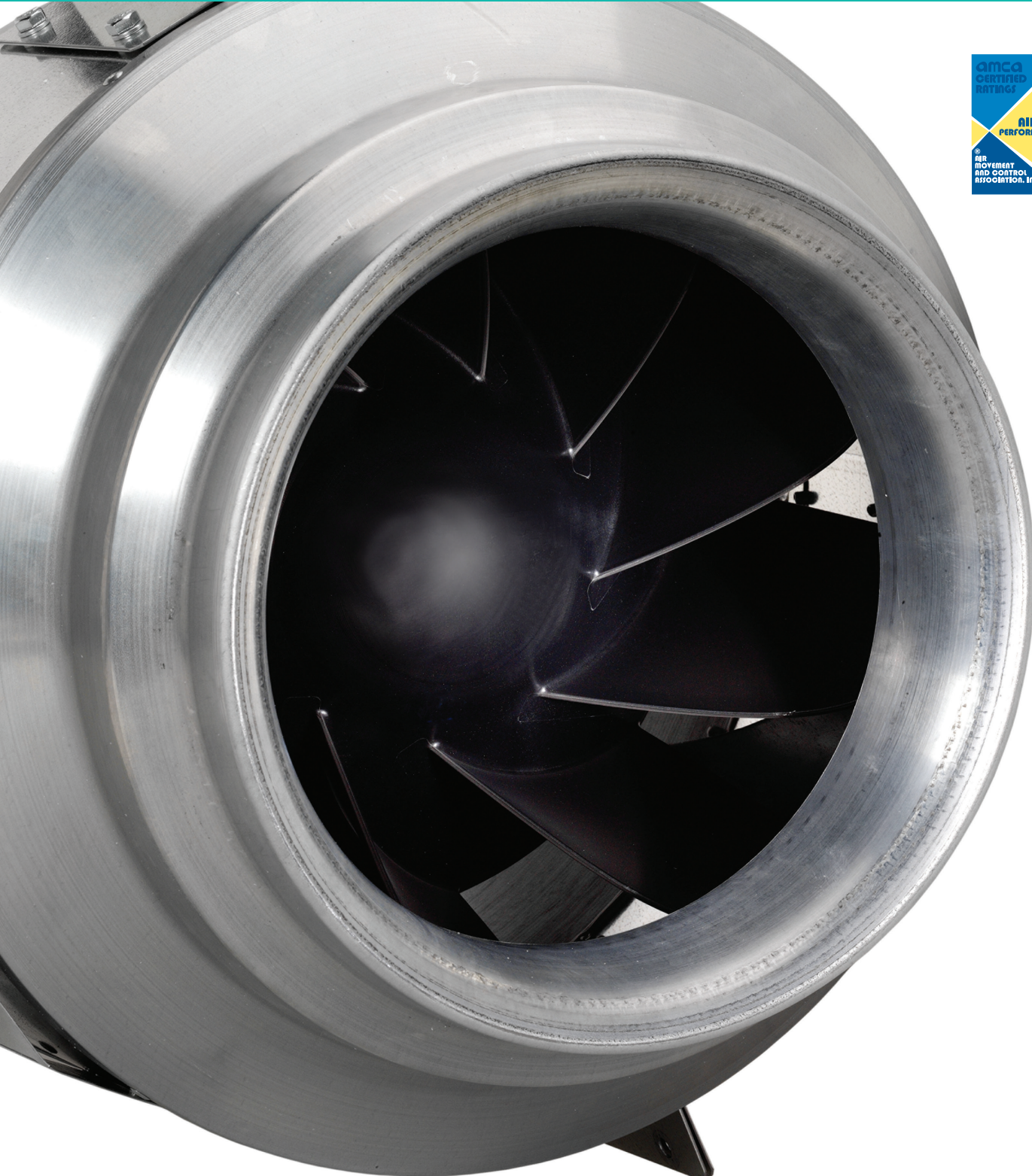


# FKD Series

## Mixflow Inline Fans

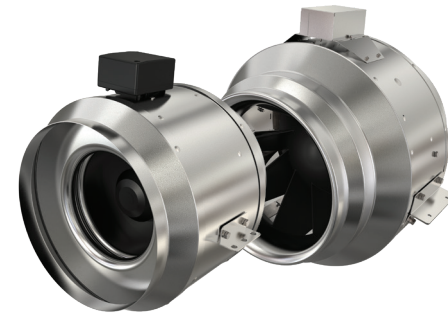


Fantech, Inc. certifies that the models shown are licensed to bear the AMCA Seal. The ratings shown are based on tests and procedures performed in accordance with AMCA Publication 211 and Publication 311 and comply with the requirements of the AMCA Certified Ratings Program. Performance certified is for installation type D-Ducted inlet, Ducted outlet. Performance ratings do not include the effects of appurtenances (accessories).

# The best of both worlds

## The high airflow with the pressure build-up of a circular fan

Fantech FKD direct drive, mixed flow centrifugal fans blend the high flow of axial fans with the higher pressure, non-overloading characteristics of backward curved impellers. An excellent choice for exhaust or supply applications where quieter performance and easy installation are important. Perfect for commercial and institutional structures such as offices, hospitals, beauty salons, veterinary clinics as well as residential applications such as kitchen range hood exhaust.



### Mixflow impeller

FKD is a mixed flow fan, i.e. the fan impeller is a combination between a radial and an axial impeller. It gives considerably higher efficiency, more airflow than radial fans and is the best fan impeller type for 12"-20" ducting. Suitable to use for both supply and extract air systems with large air volumes and medium pressures.

### Easy installation

Brackets are supplied with the fans to make installation or removal easier and prevent the transfer of vibration to the duct.

### Features and Benefits

- 836 to 6291 CFM
- Compact design
- Galvanized steel housing
- External rotor motor with built-in thermal overload protection and automatic reset
- 100% speed controllable

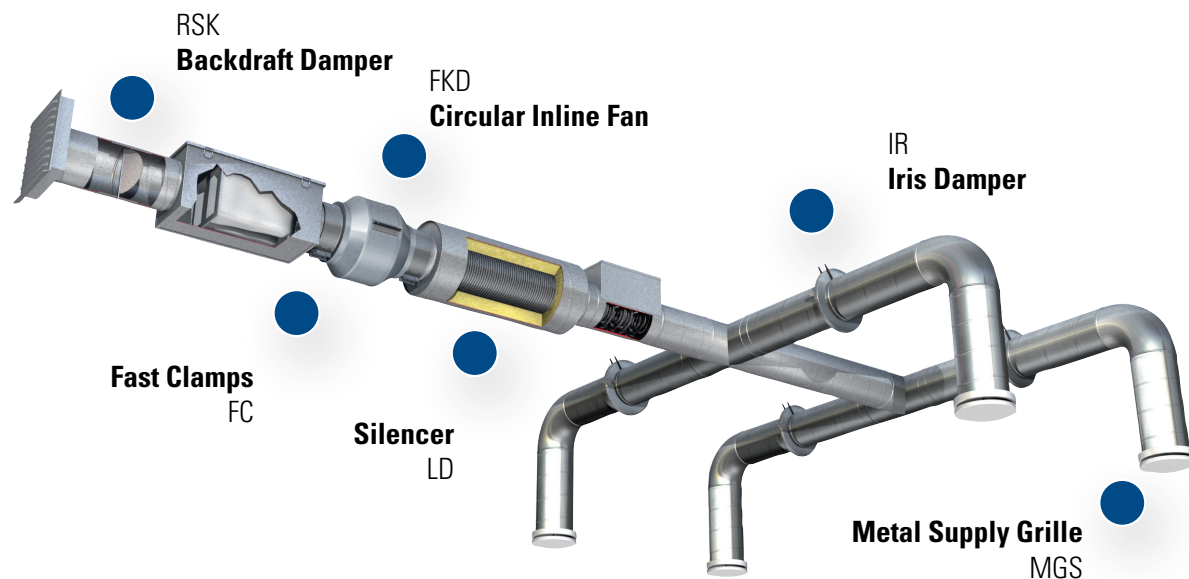
### External Rotor Motor

All FKD Series fans utilize our unique external rotor motors. The motor's enclosed design allows the fan to operate in high moisture, lint and dust laden air. The motors are a permanent split capacitor type, with automatic reset thermal protection and sealed ball bearings that protects motors from overheating.

### Maintenance Free Operation

All motors and impellers are designed as one integral unit, allowing for excellent motor heat dissipation, even at a low RPM. Motors are capable of operating in airstream temperatures up to 140° F. Motor bearings are permanently sealed, self lubricating ball type.

- Permanently lubricated sealed ball bearings
- Excellent heat dissipation to ensure long motor life
- Terminal box with prewired electrical strip
- AMCA Air and Sound Listed
- 3 year warranty



### Specification Data for FKD 120V / 1~ Models

Model	Rated power	Voltage / phase	Max amps	RPM	0.0" P <sub>s</sub>	0.25" P <sub>s</sub>	0.50" P <sub>s</sub>	0.75" P <sub>s</sub>	1.00" P <sub>s</sub>	1.5" P <sub>s</sub>	2.0" P <sub>s</sub>	Max" P <sub>s</sub>	Sones † @ 0.5	Shipping weight
	W	V / ~	A	min <sup>-1</sup>	cfm							in.wg		lbs
FKD 8XL	327	120/1	2.99 <sup>1</sup>	2700	836	761	680	595	499	286	-	2.5	14.1	20
FKD 10	329	120/1	3.01 <sup>1</sup>	2700	910	836	752	653	547	342	-	2.6	15.3	19
FKD 10XL	529	120/1	4.48 <sup>1</sup>	2850	1266	1187	1100	1006	911	696	460	3.08	21.0	25
FKD 12	531	120/1	4.86 <sup>2</sup>	2900	1305	1228	1145	1054	948	712	479	3.08	23.0	24
FKD 12XL	500	120/1	4.80 <sup>2</sup>	1700	2016	1832	1649	1423	1066	-	-	1.52	18.7	44
FKD 14	495	120/1	4.76 <sup>2</sup>	1700	2156	1965	1764	1520	1193	-	-	1.52	18.4	44
FKD 14XL	738	120/1	7.12 <sup>2</sup>	1550	2619	2416	2180	1936	1662	843	0	1.94	19.0	54
FKD 16	742	120/1	6.39 <sup>2</sup>	1600	2952	2707	2445	2144	1804	774	-	1.9	18.5	54
FKD 16XL	1421	120/1	12.40 <sup>3</sup>	1600	4274	4014	3743	3452	3137	2379	1242	2.42	25.0	84
FKD 18	1411	120/1	12.04 <sup>3</sup>	1600	4448	4130	3871	3583	3239	2380	1231	2.51	24.0	85

### Specification Data for FKD 230V / 1~ and 3~ Models

Model	Rated power	Voltage / phase	Max amps	RPM	0.0" P <sub>s</sub>	0.25" P <sub>s</sub>	0.50" P <sub>s</sub>	0.75" P <sub>s</sub>	1.00" P <sub>s</sub>	1.25" P <sub>s</sub>	1.5" P <sub>s</sub>	2.0" P <sub>s</sub>	Sones † @ 0.5	Shipping weight
	W	V / ~	A	min <sup>-1</sup>	cfm								lbs	
FKD 8XL-230	330	230/1	1.50	2785	820	749	670	579	479	375	276	121	16.9	20
FKD 10-230	329	230/1	2.10	2775	872	809	717	619	523	432	340	150	20.6	19
FKD 10XL-230	545	230/1	2.25	2940	1265	1189	1112	1032	944	848	741	497	23.2	25
FKD 12-230	531	230/1	2.10	2845	1290	1219	1136	1043	941	833	717	469	25.0	24
FKD 12XL-230	540	230/1	2.40	1690	1946	1762	1604	1377	1069	610	87	-	20.4	44
FKD 14-230	540	230/1	2.40	1690	2070	1896	1683	1474	1093	589	166	-	19.4	54
FKD 14XL-230	860	230/1	3.80	1575	2748	2481	2291	2038	1687	1270	851	186	22.1	54
FKD 16-230	860	230/1	3.70	1575	2918	2364	1737	1453	1180	899	425	2	19.9	54
FKD 16XL-230	1550	230/1	6.60	1635	4210	3946	3615	3233	2814	2372	1920	1037	24.3	84
FKD 18-230	1550	230/1	6.60	1635	4490	4232	3946	3588	3152	2654	2127	1121	25.9	85

Performance certified is for installation type D - Ducted inlet, Ducted outlet. Performance is based on actual speed of test. Performance ratings do not include the effects of appurtenances (accessories).<sup>†</sup> The sound ratings shown are loudness values in fan sones at 5ft. (1.5m) in hemispherical free field calculated per AMCA Standard 301. Values shown are for installation Type D : ducted inlet hemispherical fan son levels. Ratings do not include the effect of duct end correction.

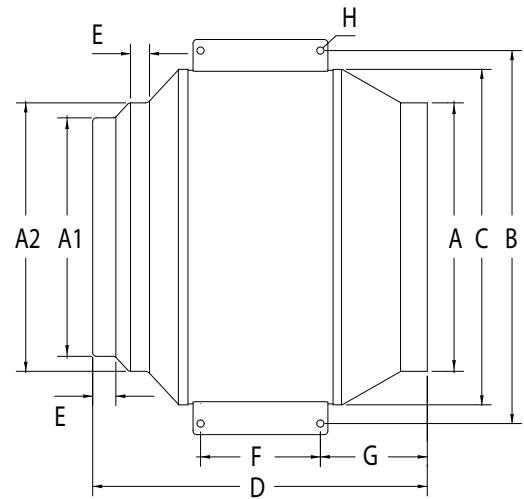
Model	Rated power	Voltage / phase	Max amps	RPM	0.0" P <sub>s</sub>	0.25" P <sub>s</sub>	0.50" P <sub>s</sub>	0.75" P <sub>s</sub>	1.00" P <sub>s</sub>	1.25" P <sub>s</sub>	1.5" P <sub>s</sub>	2.0" P <sub>s</sub>	Sones † @ 0.5	Shipping weight
	W	V / ~	A	min <sup>-1</sup>	cfm								lbs	
FKD 18XL-230/460	2208	230/460/3	3.75	1700	6236	5995	5754	5500	5199	4909	4602	3703	32.0	108
FKD 20-230/460	2218	230/460/3	3.75	1750	6291	6054	5829	5617	5307	4987	4667	3757	33.0	109

## Dimensions

Model	A	A1	A2	B	C	D	E	F	G
FKD 8XL	8	-	-	14	12 1/2	14 5/8	1	2 3/8	6 1/8
FKD 10	10	-	-	14	12 1/2	12 1/4	1	2 3/8	5
FKD 10XL	10	-	-	15 5/8	14	15	1	2 3/8	6 3/8
FKD 12	12	-	-	15 5/8	14	12 1/2	1	2 3/8	5 1/8
FKD 12XL	12	12	14	20 3/8	17 7/8	18 7/8	1 3/8	4	8 1/2
FKD 14	14	12	14	20 3/8	17 7/8	17 1/4	1 1/4	4	6 3/4
FKD 14XL	14	14	15 5/8	22 3/8	19 3/4	20 1/4	1 1/2	4	8 3/4
FKD 16	15 5/8	14	15 5/8	22 3/8	19 3/4	18 3/4	1 1/2	4	7 1/8
FKD 16XL	15 5/8	15 5/8	17 5/8	24 1/2	22 1/8	23 3/4	1 1/4	7 7/8	8 1/2
FKD 18	17 5/8	15 5/8	17 5/8	24 1/2	22 1/8	21 3/4	1 1/4	7 7/8	7
FKD 18XL	17 5/8	17 5/8	19 5/8	28 1/2	26	27 1/4	1 3/4	7 7/8	10 1/2
FKD 20	19 5/8	17 5/8	19 5/8	28 1/2	26	27 1/4	1 3/4	7 7/8	10 1/2

Dimensional information is in inches.

Dimensions for H are 3/8" except for the FKD 16XL to FKD 20 which are 1/2"



## Accessories



**ADC**  
Shut off Damper



**RSK**  
Backdraft Damper



**FGR**  
Filter Cassette



**FC**  
Mounting Clamps



**LD**  
Silencer



**IR**  
Iris Damper



**RC**  
Roof Cap



**HL**  
Hood Liner



**FTD 7'**  
7 Day Timer



**FH 20'**  
Speed Control



**RPE**  
Speed Control



**WC 15'**  
Speed Control

<sup>1</sup>Only available for the 120V models

### Customer Support:

Canada 800.565.3548 • CANADAsupport@fantech.net • [www.fantech.net](http://www.fantech.net)

Fantech reserves the right to modify, at any time and without notice, any or all of its products' features, designs, components and specifications to maintain their technological leadership position.



**fantech**®  
a systemair company